

# Half to Full Bracket

## Half to Full Bracket



## Half to Full Bracket Package Contents



Half to Full Bracket x1



Screw x4

As a New manufacturer of quality computer connectivity products since 2009/Mar, BPLUS technology brings to market a broad range of upgrade products. These products bridge the connection between Desktop/Notebook systems and external peripherals.

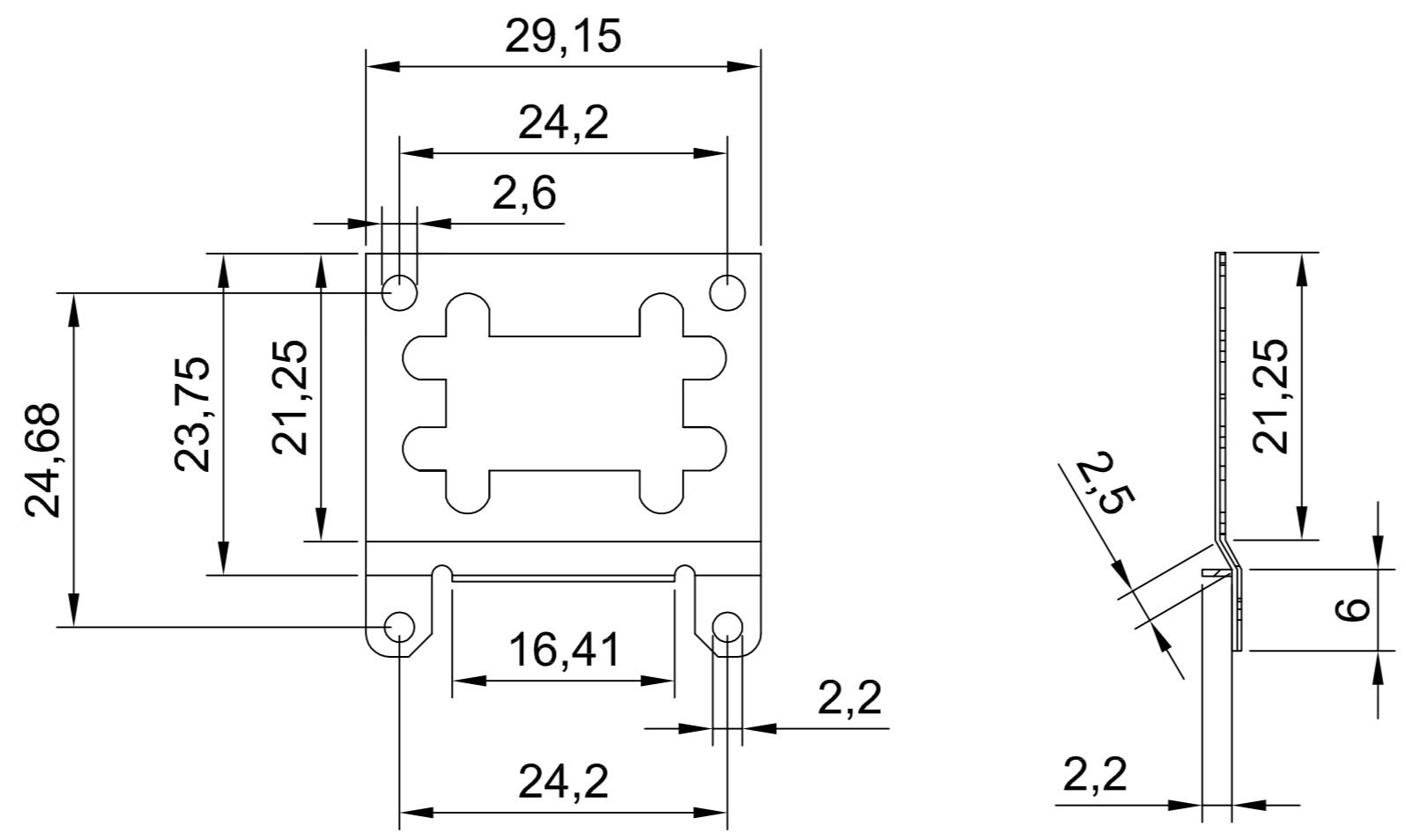


Adress:5F,NO.63,ZHOU-TZYY  
ST.,NEI-HU,TAIPEI,TAIWAN,R.O.C  
Tel:886-2-77210550 Fax:886-2-87974200  
Email:sales@bplus.com.tw  
Web:http://www.Bplus.com.tw

1 2 3 4 5 6 7 8 9 10 11 12

**PROPRIETARY AND CONFIDENTIAL**  
 THE INFORMATION CONTAINED IN THIS DRAWING IS THE SOLE PROPERTY OF AENEAS ELECTRONICS CO., LTD. ANY REPRODUCTION IN PART OR AS A WHOLE WITHOUT THE WRITTEN PERMISSION OF AENEAS ELECTRONICS CO., LTD. IS PROHIBITED

**Metal Baffle**  
**Half to Full Bracket**



APPROVED:	- TOLERANCES -		UNIT: mm	TITLE : <b>Metal Baffle</b>		SHEET
ENGINEER:	General	Angles	SCALE: 1:1	DRAWING NUMBER:		1/1
CHECKED: Gerry	30~ ±0.25	0° ±10°		Date		SIZE
DRAWN: Teddy	10~30 ±0.20	0.0° ±2°		Half to Full Bracket		A4
	5~10 ±0.15			2011/MARCH/21th		REV.
	0~5 ±0.10		<b>Blus</b> Bplus Technology Co., Ltd.		A/0	

1 2 3 4 5 6 7 8 9 10 11 12

A  
B  
C  
D  
E  
F  
G  
H  
I  
J

A  
B  
C  
D  
E  
F  
G  
H  
I  
J